



- 1) Open the end cover on the right hand flush mount assembly by removing the self-tapping screw with a No.1 pozi-drive screwdriver.
- 2) Remove the 2 small screws that hold the PCB into the right hand flush mount assembly and withdraw the PCB. Place the PCB on an antistatic surface.
- 3) Remove the right hand flush mount assembly by unscrewing the 4 screws that fix the end moulding to the aluminium tube. These are located inside at the bottom of the end moulding.
- 4) Align the 4 pins of the extrusion end cover with the screw holes in the exposed end of the aluminium tube. Note the orientation of the cut-out with the clear sign board and press fit the end cover fully onto the aluminium tube.
- 5) Open the end cover on the left hand flush mount assembly by removing the self-tapping screw with a No.1 pozi-drive screwdriver.
- 6) Remove the flush wall mount moulding from the end moulding by unscrewing the 4 screws visible under the cover.
- 7) Replace the PCB into the left hand end moulding aligning the PCB edge with the guide tracks in the aluminium extrusion. Refit the 2 small screws that hold the PCB, taking care not to over tighten and strip the plastic.
- 8) Fit the internal hanger plate into the end wall mount moulding. Align the semi-circular cut-out in the hanger plate with the raised section above the serial number label, which indicates the bottom of the assembly. Also make sure that the hanger plate fits into the slots in the wall mount moulding.
- 9) This combination is then fixed to the left hand flush mount assembly end moulding with the 4 supplied No.4 x 3/4 self tap screws. Do not substitute any other screws in these positions and do not reuse the screws removed from these positions because they will not support the sign correctly.
- 10) Please refer to the installation notes for the LD-40E style signs to complete the final fitting and colour/configuration set-up.

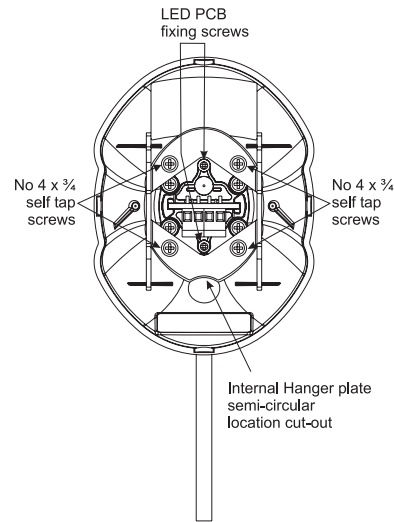


Fig 1-8: Left Hand Conversion Re-Assembly



Sonifex SignalLED Sign Mounting Requirements

End Mounting Requirements

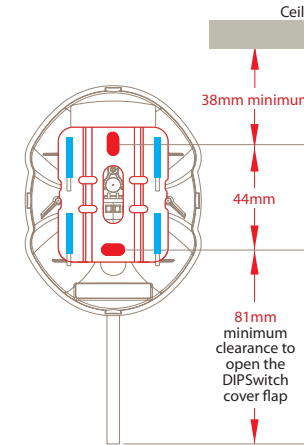
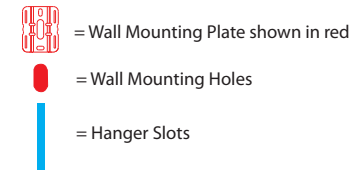


Fig 1-1: End Mounting Requirements



To create an attractive invisible-fixing finish, the SignalLED assembly is clipped into a wall mount plate. The wall mount plate must be securely fitted to a smooth, solid surface before attempting to fit the SignalLED assembly. Drill 2 holes, approximately 34mm deep, using a 6mm diameter masonry drill, and attach the wall mount plate (coloured red in the illustration above) to the wall. At this point, the LD-IT, end-mount installation tool can be used to hold the sign in place while you connect the power and signal cables. The cable retention clips can be used to hold the cables in the sign.

The sign is fitted by locating the four internal hanger plate hooks into the four slots in the wall mount plate. Once located, hold the sign around the end moulding of the SignalLED assembly (where the door is fitted) and press down into its final position. The sign retaining pins will clip into the indentations on the side of the wall mount plate and this should result in a click as the plastic pins move into their final position.

Note: a reasonable amount of force is needed to fully connect the LED sign assembly to the wall plate.

LD-KC1 Ceiling Mounting Kit

Open the end covers of the sign. Take the 5mm screw out of each of the LD-KC1 brackets and use the screws to attach the sign covers to them, where indicated on the drawing below. Ensure that the sign cover sits comfortably against the metal plates on each of the bracket.

The LD-KC1 ceiling mounting kit can be used for mounting a 40cm or 20cm flush mounting sign either down from the ceiling or up from a surface, e.g. table-top or top of a rack.

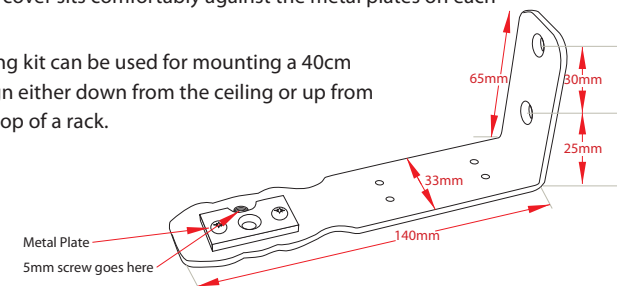


Fig 1-2: LD-KC1 Ceiling Mounting Kit

LD-KE1 SignaLED Conversion Kit, Single Flush Mount to End Mount

To convert the LD-20F & LD-40F style flush mount single sided signs into single sided end mount signs you will need to fit the LD-KE1 conversion kit. Please follow these instructions carefully.

Note: You'll need the following tools to use the conversion kit; a No. 0 and No.1 Pozi-drive screwdriver.

Take care not to damage the clear surface of the sign board. The surface will be marked by swarf or rough surfaces, so please use a clean cloth to hold the sign.

Because the sign is single sided the text will only be correctly viewable from one side. If the text must be viewed from one particular side this must be chosen initially as it will affect the disassembly and subsequent re-assembly of the sign

As standard the SignaLED PCB is fitted into the right hand end of the LD-20F & LD-40F (see Fig 1-3). If you would like the sign to be viewable with the right hand side of the sign mounted onto the wall please use the 'Right Hand Side' fitting instructions.

If you would like the sign to be viewable with the left hand side of the sign mounted onto the wall, please use the 'Left Hand Side' fitting instructions.

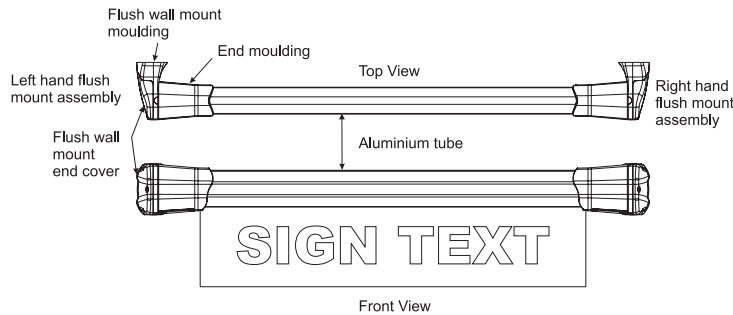


Fig 1-3: Sign Components to be Converted

Right Hand Side Fitting of the Conversion Kit

- 1) Open the end cover on the left hand flush mount assembly by removing the self tapping screw with a No.1 pozi-drive screwdriver.
- 2) Remove the left hand flush mount assembly by unscrewing the 4 screws that fix the end moulding to the aluminium tube. These are located inside at the bottom of the end moulding. See Fig 1-5.
- 3) Align the 4 pins of the extrusion end cover with the screw holes in the exposed end of the aluminium tube. Note the orientation of the cut-out with the clear sign board and press fit the end cover fully onto the aluminium tube.
- 4) Open the end cover on the right hand flush mount assembly by removing the self-tapping screw with a No.1 pozi-drive screwdriver.

- 5) Remove the flush wall mount moulding from the end moulding by unscrewing the 4 screws visible under the cover See Fig 1-6.
- 6) Fit the internal hanger plate into the end wall mount moulding. Align the semi-circular cut-out in the hanger plate with the raised section above the serial number label, which indicates the bottom of the assembly. Also make sure that the hanger plate fits into the slots in the wall mount moulding.
- 7) This combination is then fixed to the right hand flush mount assembly end moulding with the 4 supplied No.4 x 3/4 self tap screws. See Fig 1-7. Do not substitute any other screws in these positions and do not reuse the screws removed from these positions, because they will not support the sign correctly.
- 8) Please refer to the installation notes for the LD-40E style signs to complete the final fitting and colour/configuration set-up.

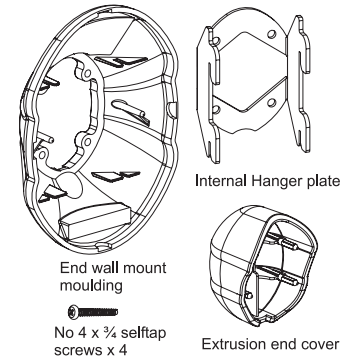


Fig 1-4: Kit Components Used for the Conversion

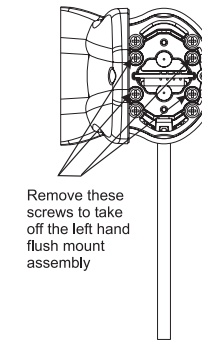


Fig 1-5: Removing the Left Hand Assembly

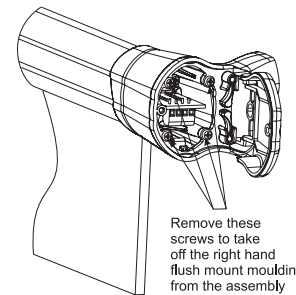


Fig 1-6 Removing the Right Hand Flush Wall Moulding

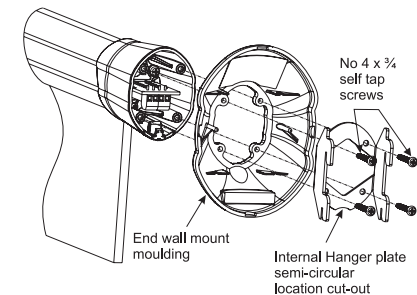


Fig 1-7: Right Hand Conversion Re-Assembly

Left Hand Side Fitting of the Conversion Kit

Note: With this conversion you will be removing the PCB from the sign so full anti-static precautions must be taken to protect the PCB from damage. Failure to do so may result in the sign not working and invalidating the warranty.